

# Two for One Twister ( Double Deck ) Spun Yarn



- ▶ Pioneer of innovative idea of Double Deck concept in Spun Yarn
- ▶ Lowest power consumption per kg. of yarn



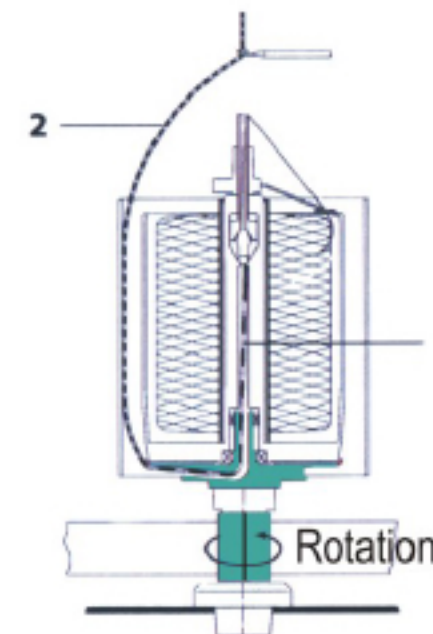
## Technical Specifications

	S-120-D	S-110-D
MAX. NO. OF SPINDLES	416	416
NO. OF SPINDLES / SECTION	32	32
SPINDLE GAUGE IN mm.	225	225
POT DIA. IN mm.	120	110
COUNTER RANGE	2 / 20 to 2 / 100	2 / 20 to 2 / 100
TWIST RANGE TPI	2.5 to 70	2.5 to 70
MAX. SPINDLE SPEED	14000 RPM	14000 RPM
EFFECTIVE TWIST INSERTION	28000	28000
SPINDLE DRIVE	Tangential Belt	Tangential Belt
STOP MOTION	Mechanical	Mechanical
WIDTH OF THE MACHINE mm.	800	800

## Application

- ▶ 2 or 3 Ply PV, PES, Cotton, Woolen or any Spun Yarn
- ▶ Any combination of spun & filament yarn

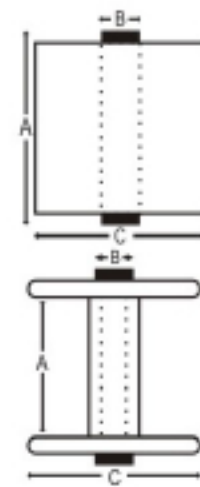
## Features



- New concept to save the space requirement and energy saving by means of small spindle diameters.
- Structure of very low noise level.
- Various models as per the need of different twist levels & energy saving concepts.
- Completely enclosed structure to avoid fluff contamination.
- Individual spindle braking.
- Low set up type due to modular design & machine.
- Automatic yarn stop & cradle lifting on yarn breakage.

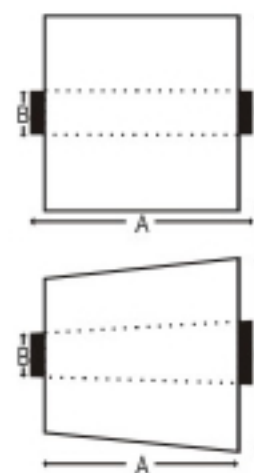
## Feed Package

	S-120-D	S-110-D
CONE / CHEESE LENGTH mm. (A)	172	172
MIN. INSIDE DIA. (B)	33	33
MAX. OUTSIDE DIA.	115	105
WEIGHT GRAMS	650	600

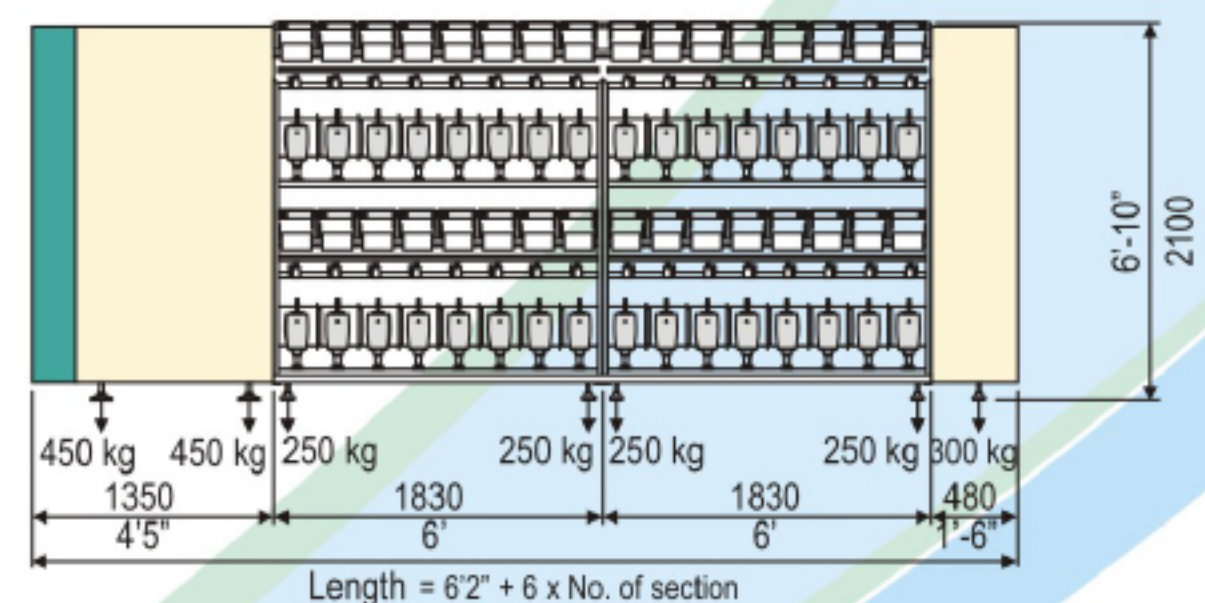


## Take Up Package

	S-120-D	S-110-D
TRAVERSE mm.	152	152
CONE / CHEESE LENGTH mm.	172	172
MAX. DIA. mm.	230	230
WEIGHT (MAX)	3 kg.	3 kg.
CONICITY	3°30' / 4°20' / 5°57' or cheese	3°30' / 4°20' / 5°57' or cheese



## Dimensions



NO. OF SECTIONS	10	11	12	13	
NO. OF SPINDLES	320	352	384	416	Height
LENGTH-METER	20.15	21.98	23.81	25.64	2.1
LENGTH-FEET	66'2"	72'2"	78'2"	84'2"	6'10"